

# SAECO IDEA CAPPUCCINO

## MILK CIRCUIT CLEANING SYSTEM

When the milk flows through and is emulsified in the milk circuit leaves grease and calcium deposits which must be periodically removed, not only for hygienic reasons but also to assure continued machine operating efficiency

The following operations must be carried out with the machine turned on and under pressure.

## DAY TIME CLEANING

Cleaning should be performed whenever, the circuit should be cleaned automatically about every 30 minutes.

- Press the on off button
- The steam-wash cycle will begin and last for 5 – 10 seconds.

NOTE: You should run this cycle twice.

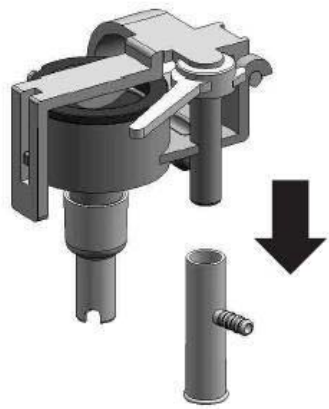
## END OF THE DAY TIME CLEANING

- Take out the silicon tube from the milk container
- Refer to the “ Detergent for cleaning the cappuccinatore “ instructions and use the cleaning amounts and procedures indicated: press the “ MILK “ button on the programming panel to obtain suction.
- Press the “ MILK “ button on the selection panel and perform a milk-circuit steam-cleaning operation.

## WEEKLY CLEANING

The parts described below should be cleaned at least twice a week.

- Remove the lower parts of the cappuccinatore.
- Soak the removed parts in a solution of detergent and water for at least 8 hours. Refer to the “ Detergent for cleaning the cappuccinatore “ instructions for the right proportions.
- Remount the parts on to the cappuccinatore and perform a component-rinsing operation. To do this, press the “ MILK “ button on the programming panel and allow the suction tube to suck about a liter of cold water.
- Now perform a milk-circuit steam-cleaning operation by pressing the “ MILK “ button on the selection panel.



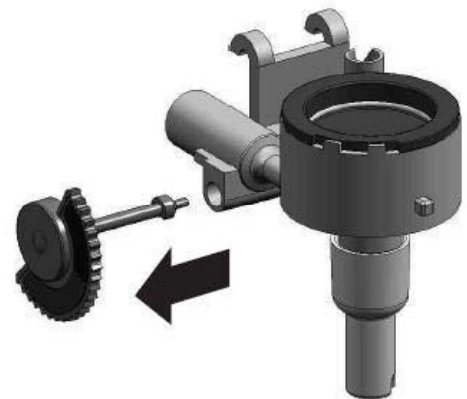
1



2



3



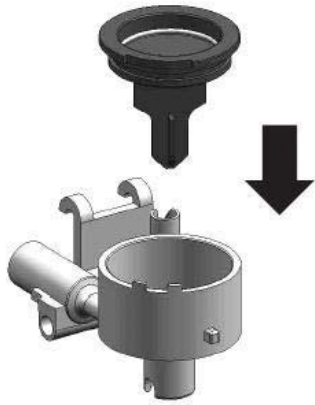
4



5



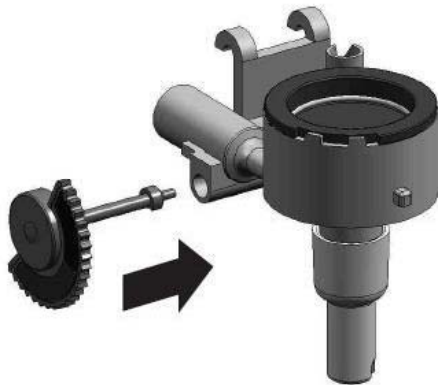
6



1



2



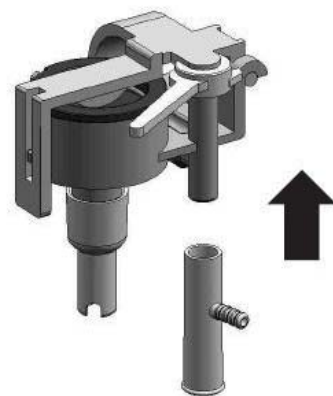
3



4



5



6